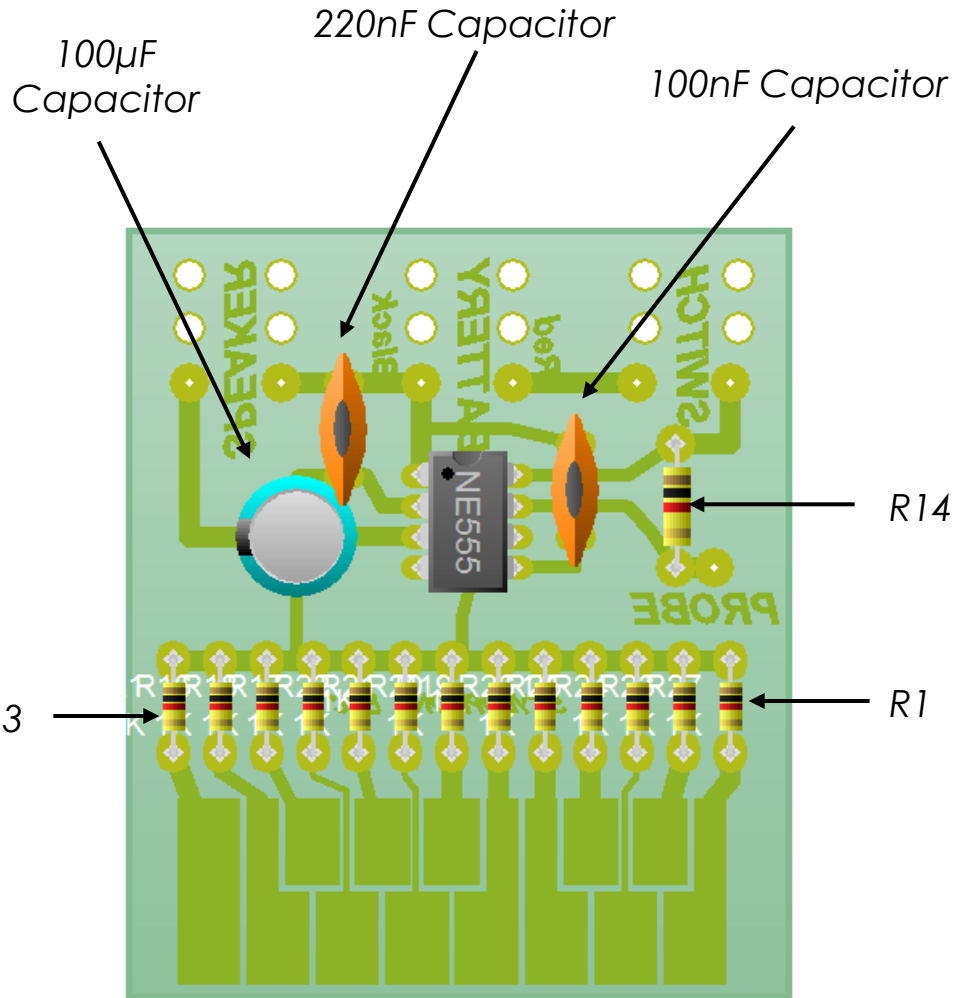
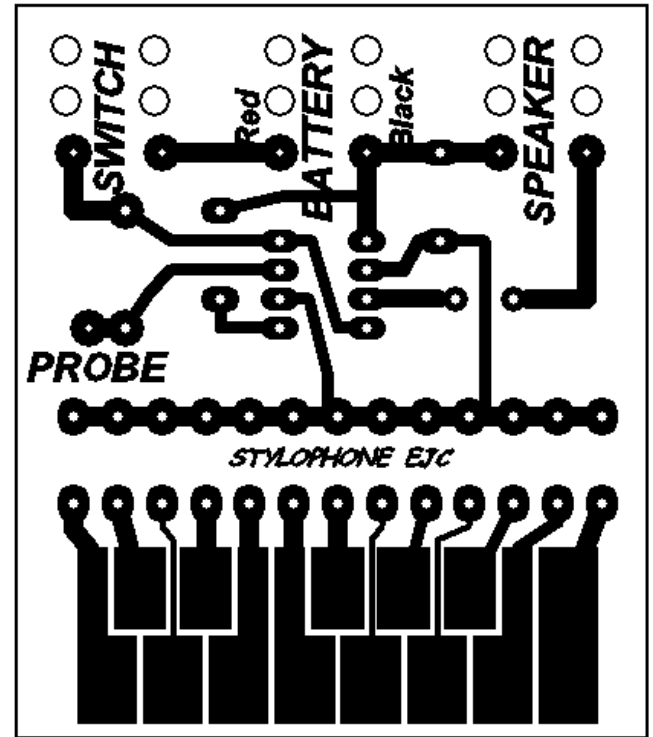


# Stylophone Circuit Board

## Component Layout



PCB from above  
(Component Side)



PCB from below  
(Copper side)